



Upgrading Waves V8 SoundGrid 2.0 for DiGiCo to Waves V8 SoundGrid 2.5

Important:

Prior to the Upgrade please contact Digico or Waves tech support teams for detailed instructions and guidance.

Notes:

- Only SD consoles running V442 or higher are able to run Waves 8.
- These instructions will guide you through updating Waves Software and Firmware of your V442 + SD Series console to SoundGrid Version 2.5
- For instructions on how to Upgrade your SD Series console to V442+, please refer to the relevant DiGiCo Tech Note for your console.
- Please Read these instructions before attempting the upgrade process
- Disconnect All Optocore, MADI, Local I/O Audio, CAT5, iLok and Headphone Connections before proceeding with this upgrade.
- Ensure Ready On is Disabled.

Upgrade Instructions

1. As per the supplied Tech Note, upgrade your SD console to V442
2. Copy the Waves_V8_SoundGrid_V2.5r13_DiGiCo.exe installer onto a suitable USB Key and insert into a free USB Socket on your SD Console
3. Right-Click on the Start Menu button in the windows tool-bar, and choose "Explore".



TECHNICAL NOTE

4. Navigate to your USB Key and run the Waves_V8_SoundGrid_V2.5r13_DiGiCo.exe installer from your USB Key.

5. Waves installer Welcome Screen will now appear. Installer will recognize your console - Installing to SDxx.

Click "Next"

6. The License Agreement Page will now appear. Please read this Agreement.

Click "Next"

7. The Installer Wizard will start installing Waves V8 SG 2.5.

8. Once complete, a dialogue box will show "Wizard Complete" confirming the process has finished.

Click "Finish".

9. Once complete, you will be prompted to restart your computer. Select

"Yes, I want to restart my Computer now". Click

"Finish"

10. Once restarted, the console will boot and stop in Windows.

11. Insert your iLok into the USB Socket on the control surface. Windows

New Hardware Wizard will appear on Screen.

12. Select "Install Software Automatically" and Click "Next"

13. Once this process is complete, click "Finish"



TECHNICAL NOTE

14. Repeat Step 11 for each of the USB sockets on your console (SD7 only has a single USB connection on the rear).

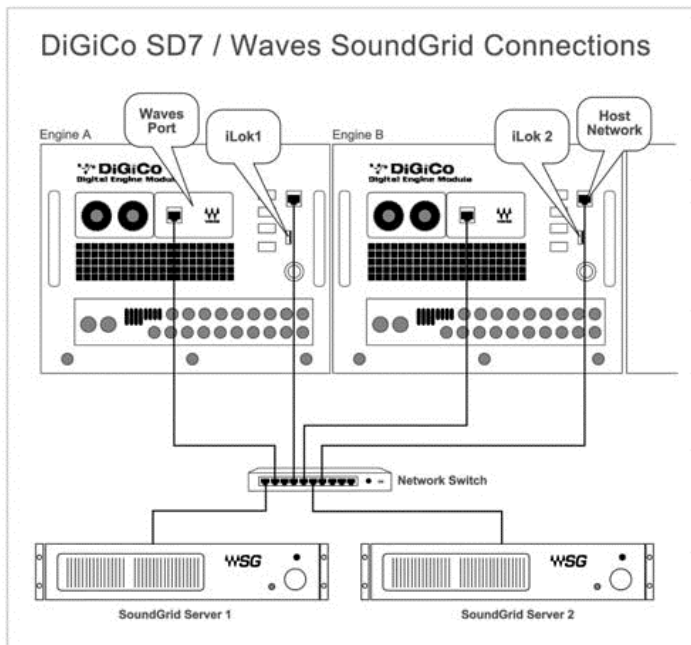
15. Disconnect all iLoks and DOKs from all USB ports.

16. Enable ready ON.

17. Connect your iLok after the system boots back up. This completes the software part of the upgrade process.

If you are upgrading an SD7, now go and repeat Steps 1-13 of this process for the other engine.

Upgrading the Firmware of the Waves IO board and the SoundGrid Server



1. Connect the Console network Port(s), Console Waves Port(s) and SoundGrid Servers (SGS) to your Network switch using the appropriate cabling.
2. Power up the console.
3. On the main Digico menu click or touch Waves Tab to open MultiRack SG.
4. On the main MultiRack menu click or touch Window button and choose Inventory.



TECHNICAL NOTE

5. In Inventory window click Update button next to found devices (I/O and SG Server/s). Follow the status messages and instructions carefully. At the end of the process (in some cases requiring you to reboot the device), click the window's Refresh button.

6. If there is more than one SGS connected to the switch, either as redundant servers or as part an SD7 system, they will all be detected and can all be upgraded from the same Inventory Window.

7. If upgrading an SD7, the IO cards for Both engines will be detected and can be upgraded from the same Inventory Window.

The Upgrade procedure is now complete